

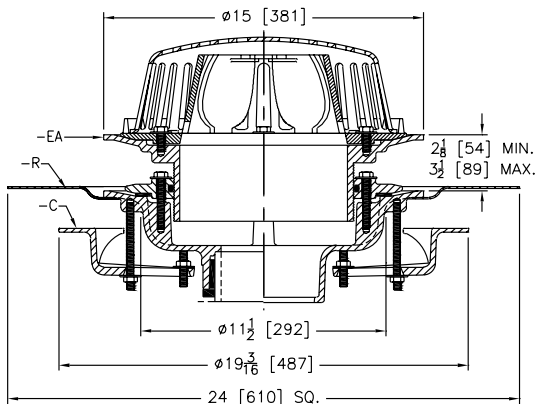
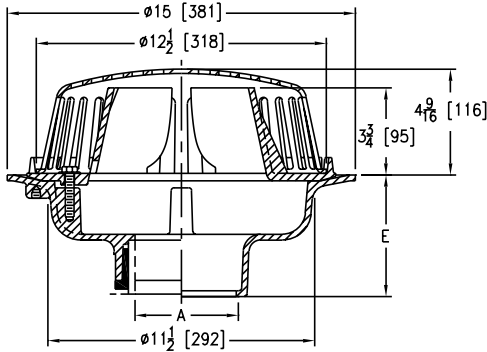
# Z105 CONTROL-FLO™ ROOF DRAIN WITH PARABOLIC WEIR



## ENGINEERING SPECIFICATION

Zurn Z105 15" diameter Control-Flo roof drain for dead-level roof construction features Dura-Coated cast iron body. Control-Flo weir shall be linear functioning with integral membrane flashing clamp/gravel guard and polydome. All data shall be verified proportional to flow rates. Each notch will allow 10 GPM flow per inch of rain water buildup above the drain.

A Pipe Size inches [mm]	Dome Open Area sq in [cm <sup>2</sup> ]	Approximate Weight lb [kg]
2 [51], 3 [76], 4 [102]	103 [665]	34 [15]



Shown with -C-EA-R Options

**ZURN Z105-C-EA-R** Control-Flo Roof Drain for dead-level roof construction. Drain is as specified above, with Dura-Coated steel roof sump receiver (-R), Dura-Coated cast iron underdeck clamp (-C), and Dura-Coated cast iron adjustable extension and clamp ring with neoprene O-Ring seal (-EA).

\*Regularly furnished unless otherwise specified.

Items designated as Best Sellers are most specified and are generally in stock for shipment.

⌚ This symbol denotes a product that is engineered to reduce installation and rework time.

PREFIXES	DESCRIPTION	PIPE SIZE	LIST PRICE
Z105*	D.C.C.I. Body with Polydome	2", 3", 4"	1,929.00
ZA105	D.C.C.I. Body with Aluminum Dome	2", 3", 4"	2,174.00
ZC105	D.C.C.I. Body with Cast Iron Dome	2", 3", 4"	2,144.00

OUTLETS (SPECIFY PIPE SIZE IN INCHES AND TYPE OF OUTLET)			
OUTLET TYPE	OUTLET DESIGNATION (PIPE SIZE/OUTLET TYPE)	E BODY HT. DIM.	ADD
IC	Inside Caulk	3IC, 4IC	5-1/4" N/C
NH	No-Hub	2NH, 3NH, 4NH	5-1/4" N/C
NL	Neo-Loc (not recommended for roof drains)	2NL, 3NL, 4NL	4-9/16" N/C

SUFFIXES		ADD
-C	Underdeck Clamp	244.00
⌚ -DP	Top-Set® Roof Deck Plate (Replaces both -C and -R)	436.00
-E	Static Extension 1" thru 4" (Specify Height)	D.C.C.I. 660.00 Galv. 995.00
	For E Extensions Greater than 4" - Per Inch (Specify Height)	D.C.C.I. 158.00 Galv. 242.00
-EA	Adjustable Extension Assembly 2-1/8" thru 3-1/2"	D.C.C.I. 744.00 Galv. 1,073.00
-G	Galvanized Cast Iron	889.00
-R	Roof Sump Receiver	272.00
⌚ -TC	Neo-Loc Test Cap Gasket (2" thru 4" NL Bottom Outlet Only)	24.00
-VP	Vandal-Proof Secured Top	125.00
-10	6" High Parabolic Weir for Sloped Roof (ZC or ZA)	N/C

BEST SELLERS	LIST PRICE
Z105-3NH	1,929.00
ZC105-3NH	2,144.00
ZC105-4NH-DP	2,580.00

Supplied By:



877-903-7246

www.commercialplumbingsupply.com

For additional product information, please visit [www.zurn.com](http://www.zurn.com).